

Vendor

- Manufacturer/Oversight: AROW Global Corp.
Located: Mosinee, Wisconsin, USA with a plant in Winnipeg, Canada
- “AROWGUARD” branded driver protection system.

Shield Description

- Split shield position is stowable with three locking positions. Bottom portion made from aluminum sheet metal panel with flanged welded corners for added rigidity.
- Powder-coated black matte industrial finish.
- Lock and latch assembly mounted to stanchion pole. Rotary-style latch for positive locking which will help to reduce noise.
- Comfortable span of 37” between driver console and barrier door
- Unobstructed view of curb side mirror.

Glazing Material

- Pilkington OptiView™ Protect AS2 glass panel complies with Canadian Motor Vehicle Safety Standards.
- 8mm tempered/laminated glass with anti-glare coating on surfaces with polished edge.

Operating Instructions

- The barrier door must be closed at all times while occupying the Operator’s compartment. This procedure must be adhered to by both Operations and Maintenance staff.
- Use of the extended full shield is at Operator discretion, noting the partial shield is in place at all times (refer to Photo B or C).

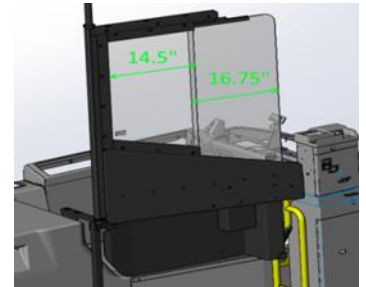


Photo A

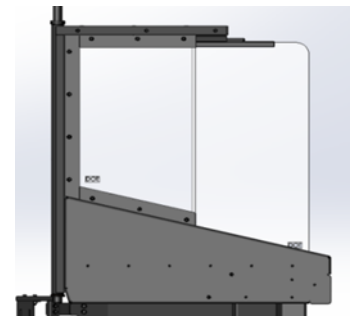


Photo B - Closed

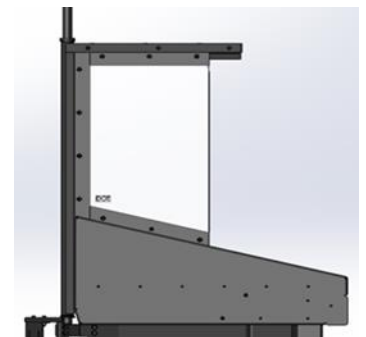


Photo C - Open